



# **VLSI Design : 2021-22**

## **Lecture 14**

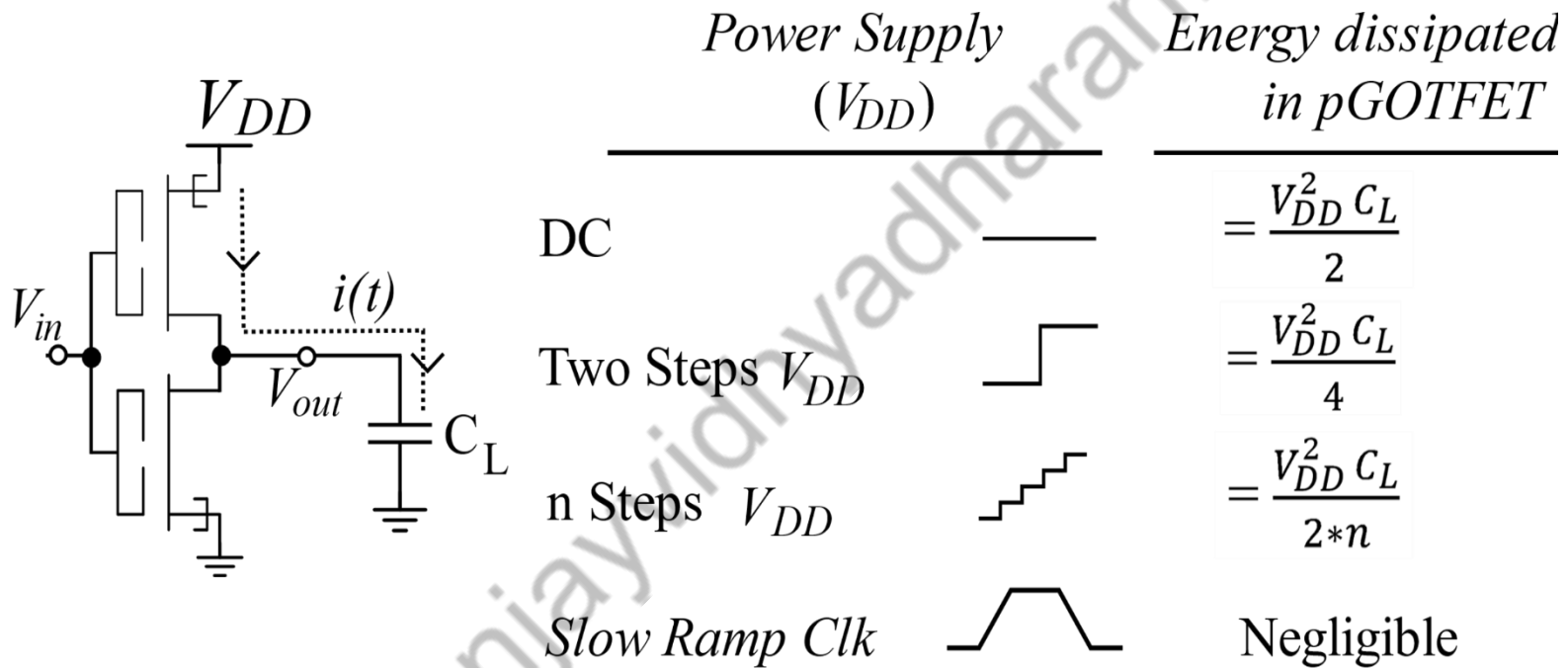
### **Adiabatic Logic**

**By Dr. Sanjay Vidhyadharan**

sanjayvidhyadharan.in

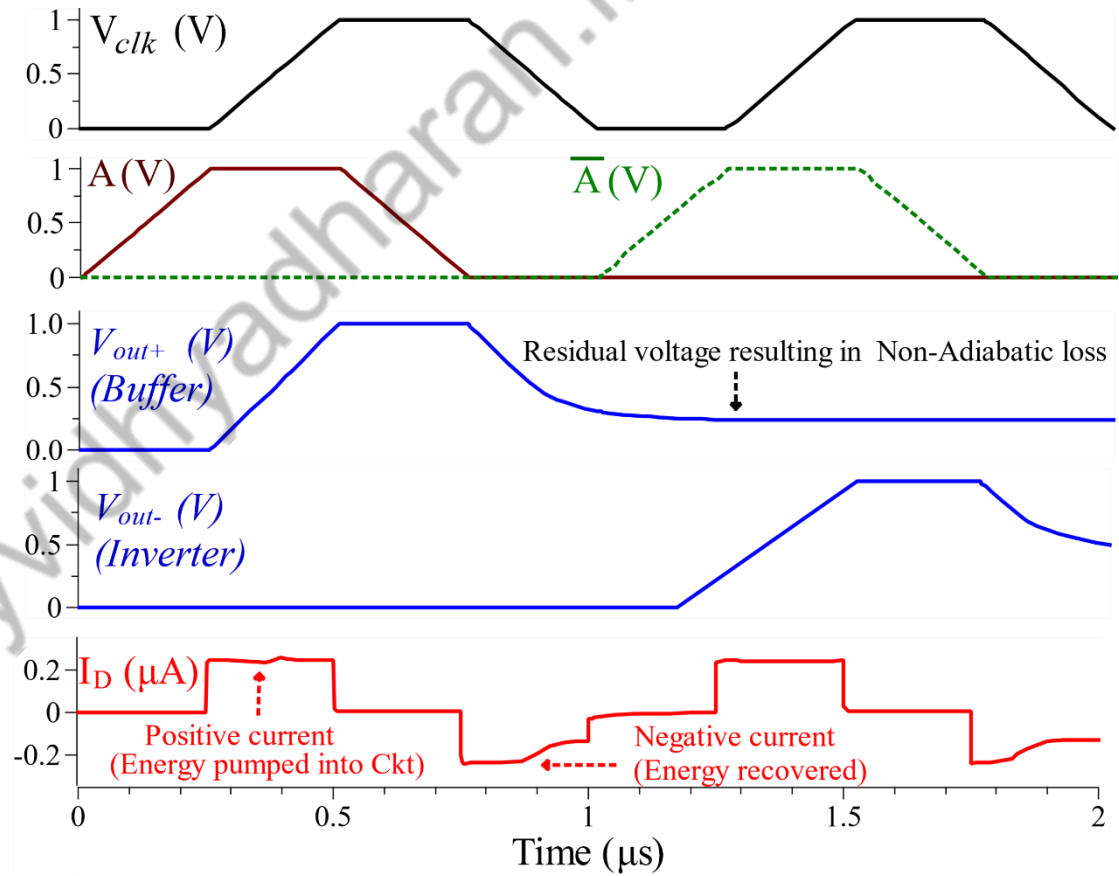
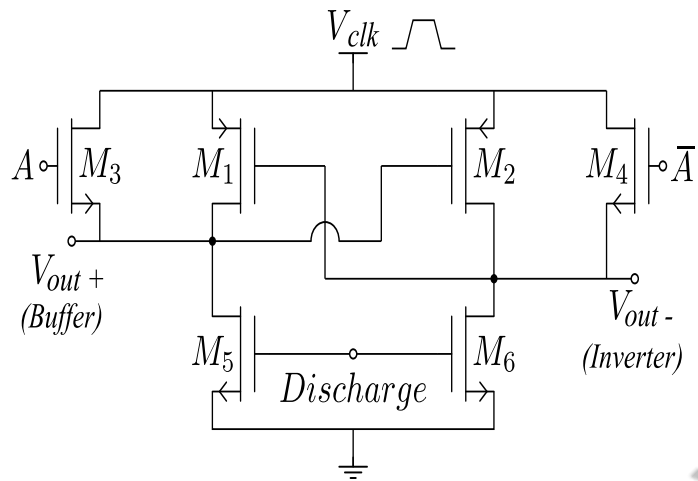
# Adiabatic Logic

## 1. Adiabatic Operation

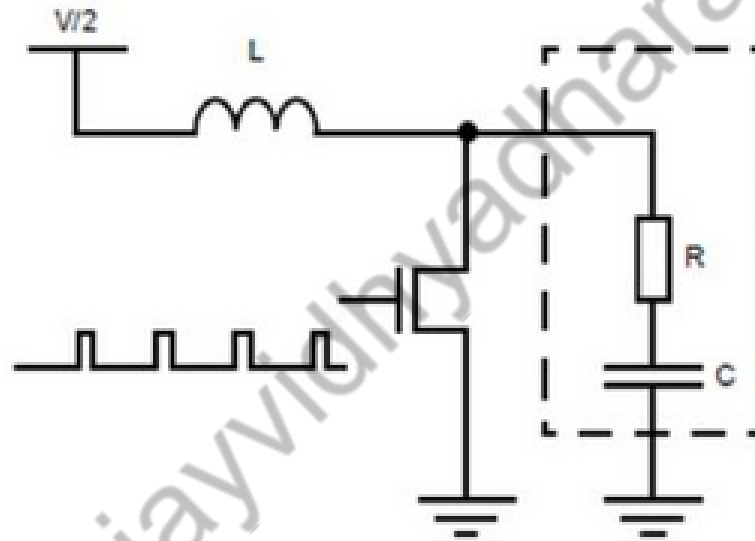


# Adiabatic Logic

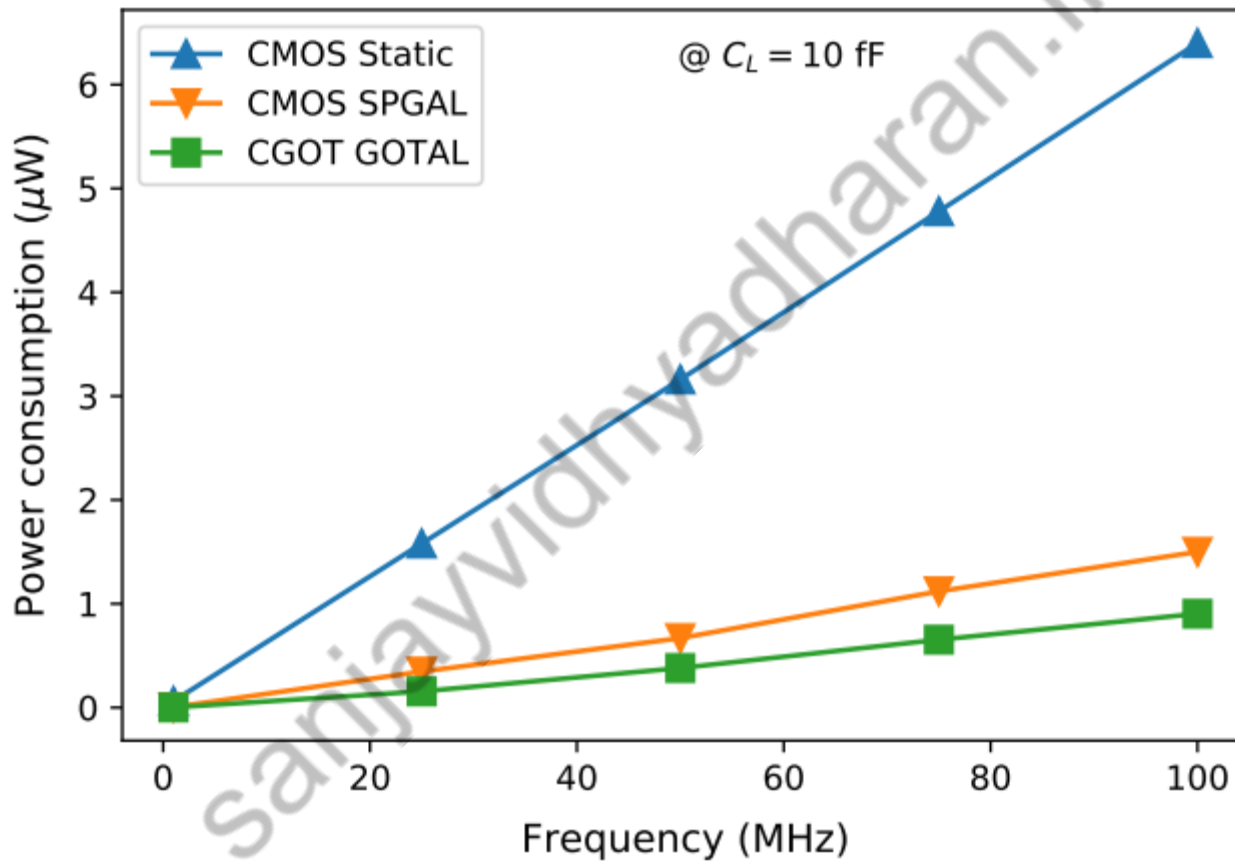
## CMOS Symmetric Pass Gate Adiabatic Logic



# Adiabatic Logic



# Adiabatic Logic vs. Static CMOS



*Sanjay Vidhyadharan et al "An advanced adiabatic logic using Gate Overlap Tunnel FET (GOTFET) devices for ultra-low power VLSI sensor applications"*

**Thank you**