



BITS Pilani

Hyderabad Campus

Department of Electrical Engineering



Digital Design

First Semester 2020-21

Tutorial : 02

Boolean Algebra & Logic Gates

Digital Design Tutorial : 02

1. Simplify

$$F = BC + B\bar{C} + BA$$

Digital Design Tutorial : 02

1. Simplify

$$F = BC + B\bar{C} + BA$$

- Simplification

$$F = B(C + \bar{C}) + BA$$

$$F = B \cdot 1 + BA$$

$$F = B(1 + A)$$

$$F = B$$

Digital Design Tutorial : 02

2. Simplify

$$F = A + \bar{A}B + \bar{A}\bar{B}C + \bar{A}\bar{B}\bar{C}D + \bar{A}\bar{B}\bar{C}\bar{D}E$$

Digital Design Tutorial : 02

2. Simplify

$$F = A + \bar{A}B + \bar{A}\bar{B}C + \bar{A}\bar{B}\bar{C}D + \bar{A}\bar{B}\bar{C}\bar{D}E$$

- Simplification

$$F = A + \bar{A}(B + \bar{B}C + \bar{B}\bar{C}D + \bar{B}\bar{C}\bar{D}E)$$

$$F = A + B + \bar{B}C + \bar{B}\bar{C}D + \bar{B}\bar{C}\bar{D}E$$

$$F = A + B + \bar{B}(C + \bar{C}D + \bar{C}\bar{D}E)$$

$$F = A + B + C + \bar{C}D + \bar{C}\bar{D}E$$

$$F = A + B + C + \bar{C}(D + \bar{D}E)$$

$$F = A + B + C + D + \bar{D}E$$

$$F = A + B + C + D + E$$

Digital Design Tutorial : 02

3. Simplify

$$(X + Y) (X + \overline{Y}) (\overline{X} + Z)$$

Digital Design Tutorial : 02

3. Simplify

First simplify $(X + Y) (X + \overline{Y})$

$$(X + Y) (X + \overline{Y}) = XX + X\overline{Y} + YX + Y\overline{Y}$$

$$= X + X\overline{Y} + YX + 0, \quad \text{as } XX = X$$

$$\text{as } Y\overline{Y} = 0$$

$$= X + X(\overline{Y} + Y), \quad \text{as } \overline{Y} + Y = 1$$

$$= X + X \cdot 1, \quad \text{as } X \cdot 1 = X$$

$$= X + X$$

$$= X$$

Now $(X + Y) (X + \overline{Y}) (\overline{X} + Z)$

$$= X(\overline{X} + Z)$$

$$= X\overline{X} + XZ, \quad \text{by distributive law}$$

$$= 0 + XZ$$

$$= XZ$$

Digital Design Tutorial : 02

4. Simplify

$$XYZ + X \overline{Y} Z + XY \overline{Z}$$

Digital Design Tutorial : 02

4. Simplify

$$XYZ + X \bar{Y} Z + XY \bar{Z}$$

$$XYZ + X \bar{Y} Z + XY \bar{Z}$$

$$=XZ (Y + \bar{Y}) + XY \bar{Z}$$

$$=XZ + XY \bar{Z}, \quad \text{as } Y + \bar{Y} = 1$$

$$=X (Z + Y \bar{Z})$$

$$= X[(Z + Y). (Z + \bar{Z})], \text{ (By Rule 15 dual of distributive)}$$

$$= X [(Z + Y). 1] = X (Z + Y)$$

$$=X (Y + Z), \quad \text{by commutative law.}$$

Digital Design Tutorial : 02

5. Show that

$$\overline{A(\overline{B}\overline{C} + BC)} = \overline{A} + (B + C)(\overline{B} + \overline{C})$$

Digital Design Tutorial : 02

5. Show that

$$\overline{A(\overline{B}\overline{C} + BC)} = \overline{A} + (B + C)(\overline{B} + \overline{C})$$

- Simplification

$$\begin{aligned}\overline{A(\overline{B}\overline{C} + BC)} &= \overline{A} + \overline{(\overline{B}\overline{C} + BC)} \\ &= \overline{A} + (\overline{\overline{B}\overline{C}})(\overline{BC}) \\ &= \overline{A} + (B + C)(\overline{B} + \overline{C})\end{aligned}$$

Digital Design Tutorial : 02

6. Write Minterms of

$$F(A, B, C) = \bar{A}\bar{B}\bar{C} + \bar{A}\bar{B}C + A\bar{B}\bar{C} + A\bar{B}C$$

Digital Design Tutorial : 02

6. Write Minterms of

$$\mathbf{F(A, B, C) = \bar{A}\bar{B}\bar{C} + \bar{A}BC + A\bar{B}\bar{C} + ABC}$$

could instead be expressed as

$$\mathbf{F(A, B, C) = m_0 + m_1 + m_4 + m_5}$$

or more compactly

$$\mathbf{F(A, B, C) = \sum m(0, 1, 4, 5) = one-set(0, 1, 4, 5)}$$

Digital Design Tutorial : 02

7. Write maxterms of

$$F(A, B, C) = (A + B + \bar{C})(\bar{A} + B + C)(\bar{A} + \bar{B} + \bar{C})$$

Digital Design Tutorial : 02

7. Write maxterms of

$$\mathbf{F(A, B, C) = (A + B + \bar{C})(\bar{A} + B + C)(\bar{A} + \bar{B} + \bar{C})}$$

could instead be expressed as

$$\mathbf{F(A, B, C) = M_1 \cdot M_4 \cdot M_7}$$

or more compactly as

$$\mathbf{F(A, B, C) = \prod M(1, 4, 7) = zero-set(1, 4, 7)}$$

Digital Design Tutorial : 02

8. Write canonical form and Truth Table of

$$F(A, B, C) = AB + \bar{B}(\bar{A} + \bar{C})$$

Digital Design Tutorial : 02

8. Write canonical form and Truth Table of

$$\begin{aligned}
 F(A, B, C) &= AB + \bar{B}(\bar{A} + \bar{C}) = AB + \bar{A}\bar{B} + \bar{B}\bar{C} \\
 &= AB(C + \bar{C}) + \bar{A}\bar{B}(C + \bar{C}) + (A + \bar{A})\bar{B}\bar{C} \\
 &= \bar{A}\bar{B}\bar{C} + \bar{A}\bar{B}C + A\bar{B}\bar{C} + AB\bar{C} + ABC \\
 &= \sum m(0, 1, 4, 6, 7)
 \end{aligned}$$

A	B	C	F
0	0	0	1 ← 0
0	0	1	1 ← 1
0	1	0	0
0	1	1	0
1	0	0	1 ← 4
1	0	1	0
1	1	0	1 ← 6
1	1	1	1 ← 7

Minterms listed as
1s in Truth Table

Digital Design Tutorial : 02

8. Write canonical form and Truth Table of

$$F(A, B, C) = AB + \bar{B}(\bar{A} + \bar{C})$$

$$= (A + \bar{B} + C)(A + \bar{B} + \bar{C})(\bar{A} + B + \bar{C})$$

$$= \prod M(2, 3, 5)$$

A	B	C	F
0	0	0	1
0	0	1	1
0	1	0	0 ← 2
0	1	1	0 ← 3
1	0	0	1
1	0	1	0 ← 5
1	1	0	1
1	1	1	1

Maxterms listed as
0s in Truth Table

Digital Design Tutorial : 02

8. Write canonical form and Truth Table of

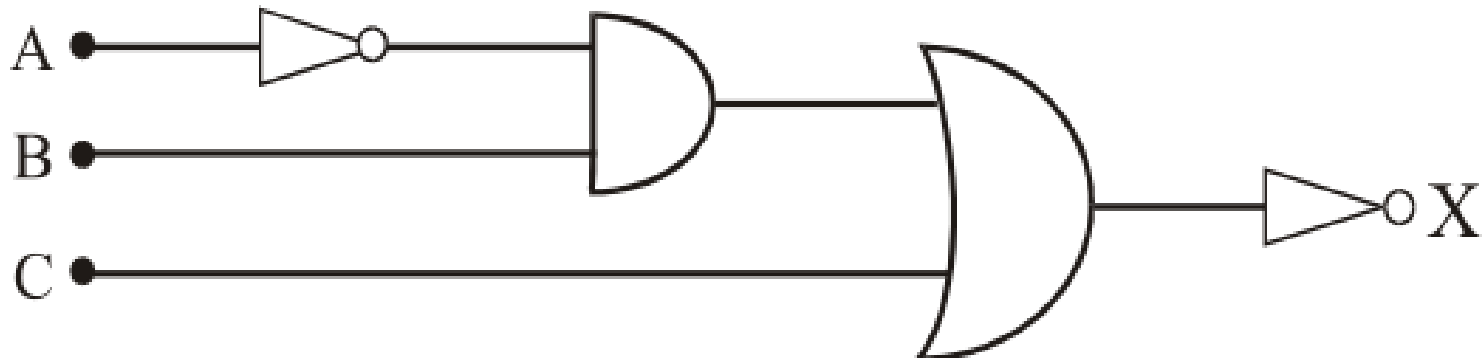
$$\begin{aligned}
 F(A, B, C) &= AB + \bar{B}(\bar{A} + \bar{C}) = AB + \bar{A}\bar{B} + \bar{B}\bar{C} \\
 &= AB(C + \bar{C}) + \bar{A}\bar{B}(C + \bar{C}) + (A + \bar{A})\bar{B}\bar{C} \\
 &= \bar{A}\bar{B}\bar{C} + \bar{A}\bar{B}C + A\bar{B}\bar{C} + AB\bar{C} + ABC \\
 &= \sum m(0, 1, 4, 6, 7)
 \end{aligned}$$

A	B	C	F
0	0	0	1 ← 0
0	0	1	1 ← 1
0	1	0	0
0	1	1	0
1	0	0	1 ← 4
1	0	1	0
1	1	0	1 ← 6
1	1	1	1 ← 7

Minterms listed as
1s in Truth Table

Digital Design Tutorial : 02

9. Write the Boolean expression that describes mathematically the behavior of logic circuit shown in fig.10. Use a truth table to determine what input conditions produce a logic 1 output.



Digital Design Tutorial : 02

9.

Solution:

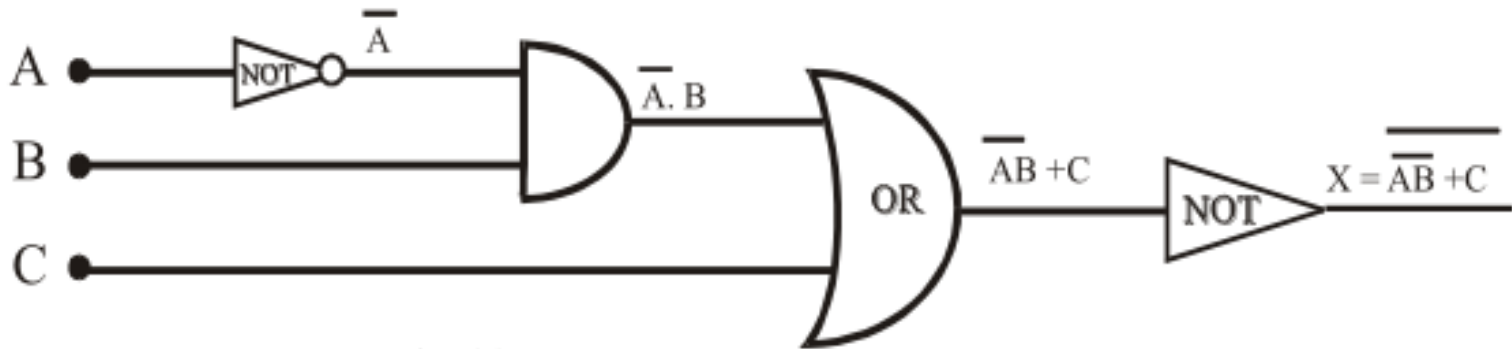


Fig.11

Digital Design Tutorial : 02

10.

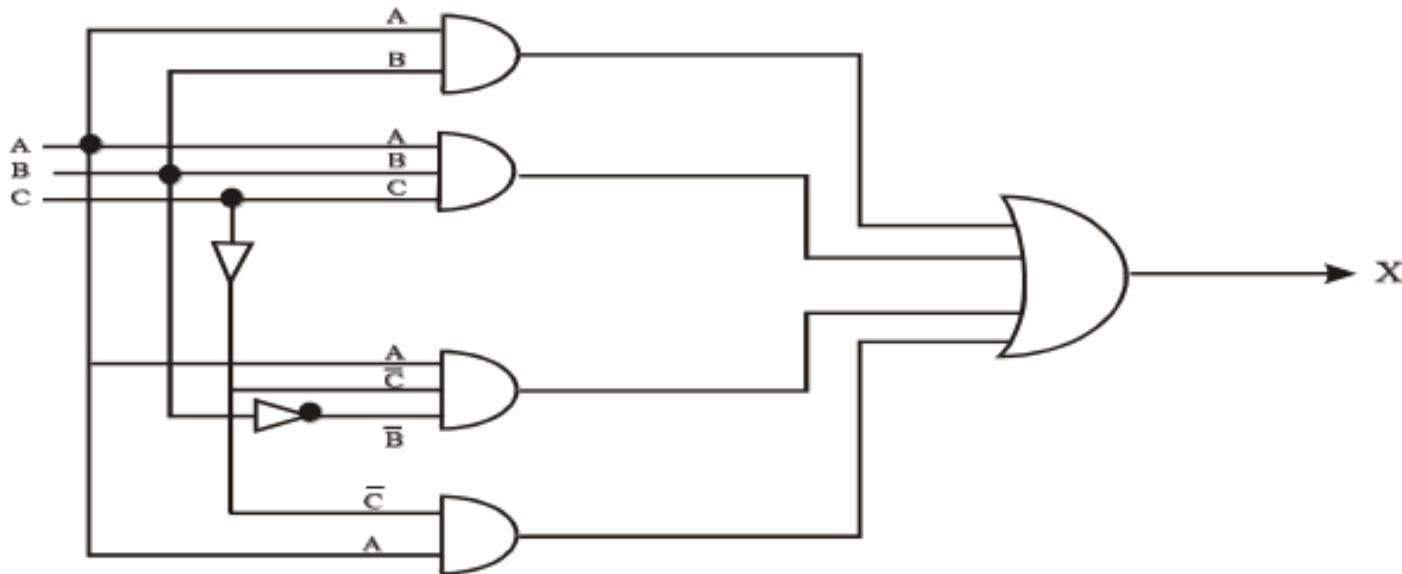
Given the Boolean expression

$$X = AB + ABC + A \overline{B} \overline{C} + A \overline{C}$$

- (a) Draw the logic diagram for the expression.
- (b) Minimize the expression.
- (c) Draw the logic diagram for the reduced expression.

Digital Design Tutorial : 02

10. Solution



Digital Design Tutorial : 02

10. Solution

$$\begin{aligned} X &= AB + ABC + A \overline{B} \overline{C} + A \overline{C} \\ &= AB(1 + C) + A \overline{C} (\overline{B} + 1) \\ &= AB \cdot 1 + A \overline{C} \cdot 1 = AB + A \overline{C} \\ &= A(B + \overline{C}) \end{aligned}$$

