

# Digital Electronics and Computer Organization

## Digital Design

### Lecture 24: Applications of Sequential Circuits

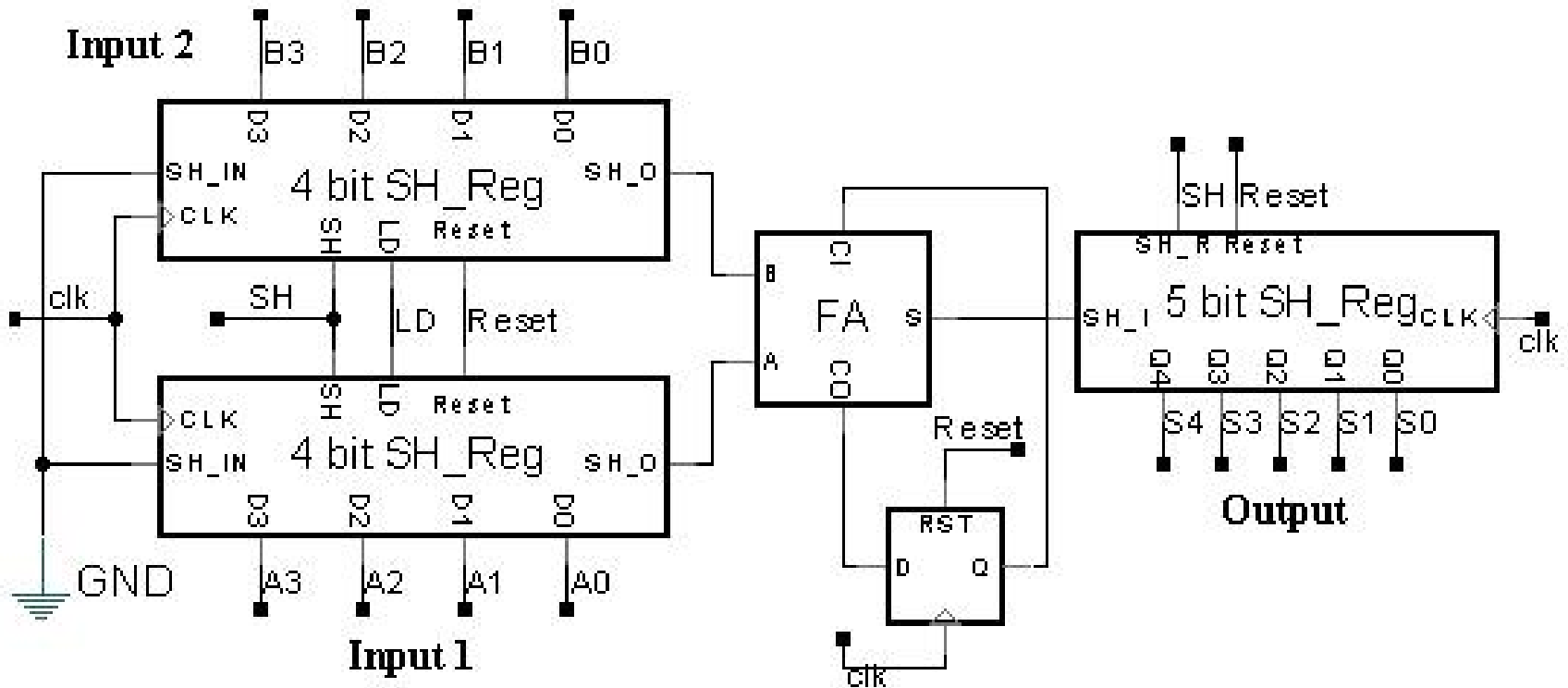


**Birla Institute of Technology & Science, Pilani**  
Hyderabad Campus

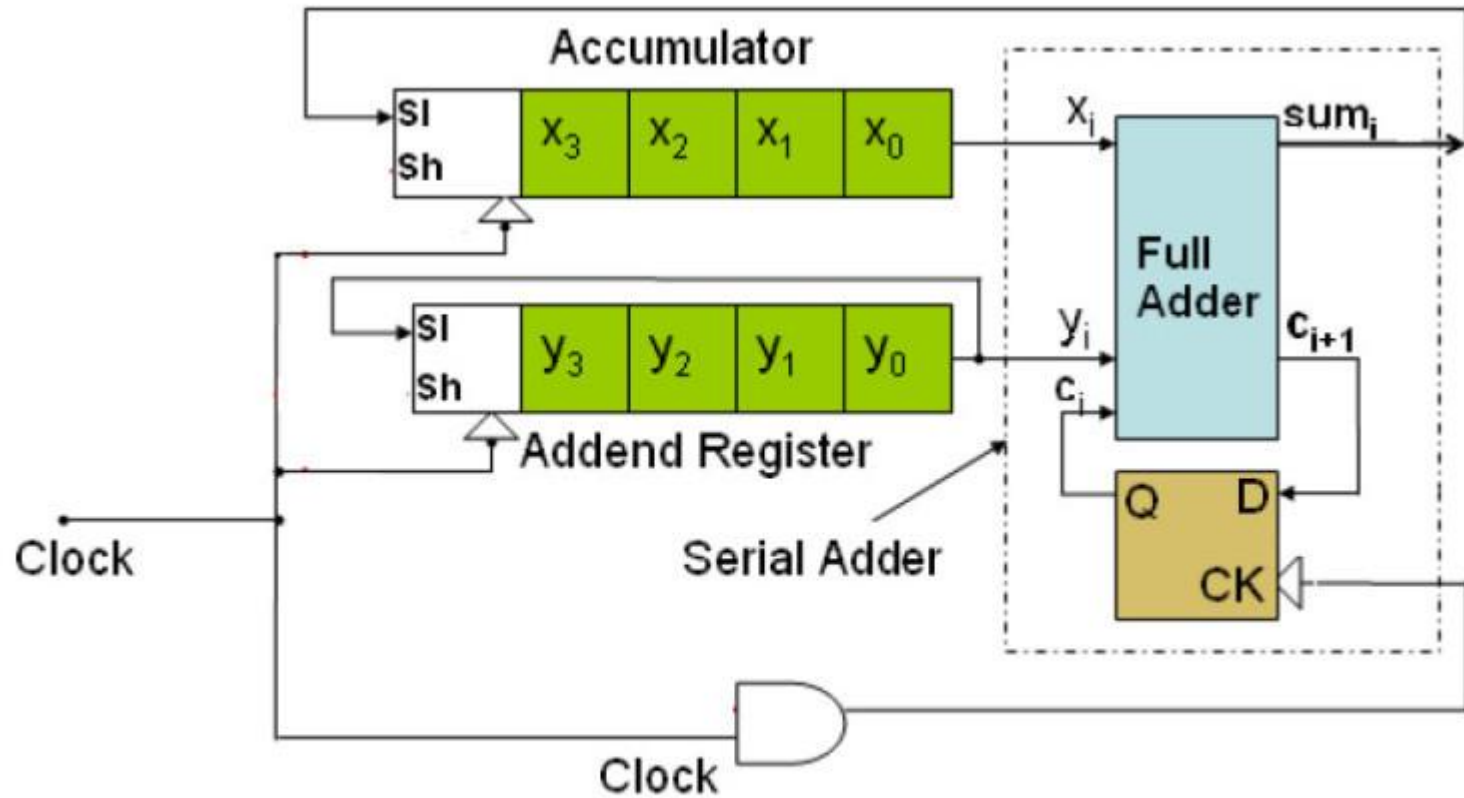
10/31/2020



# Serial Adder

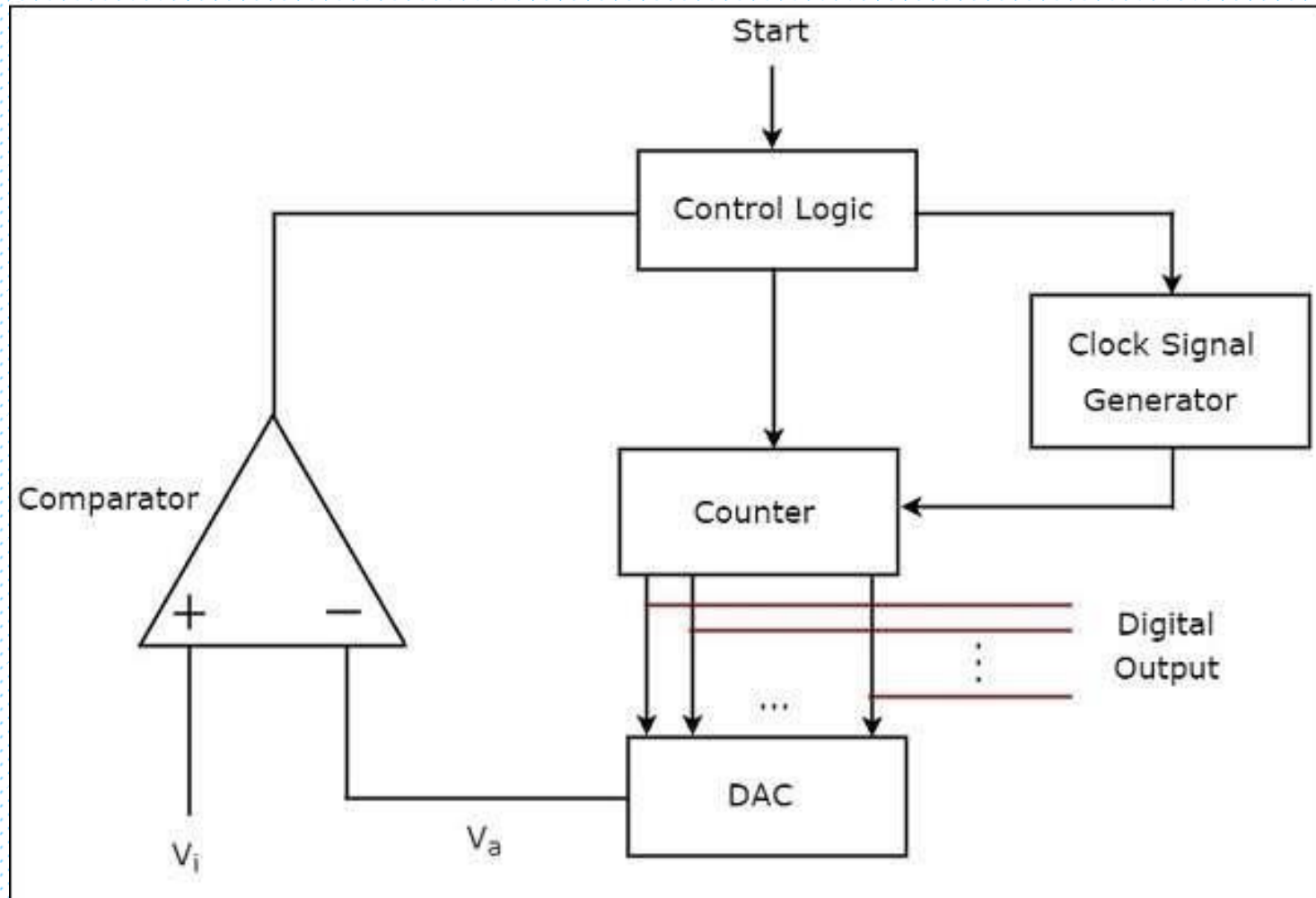


# Serial Adder

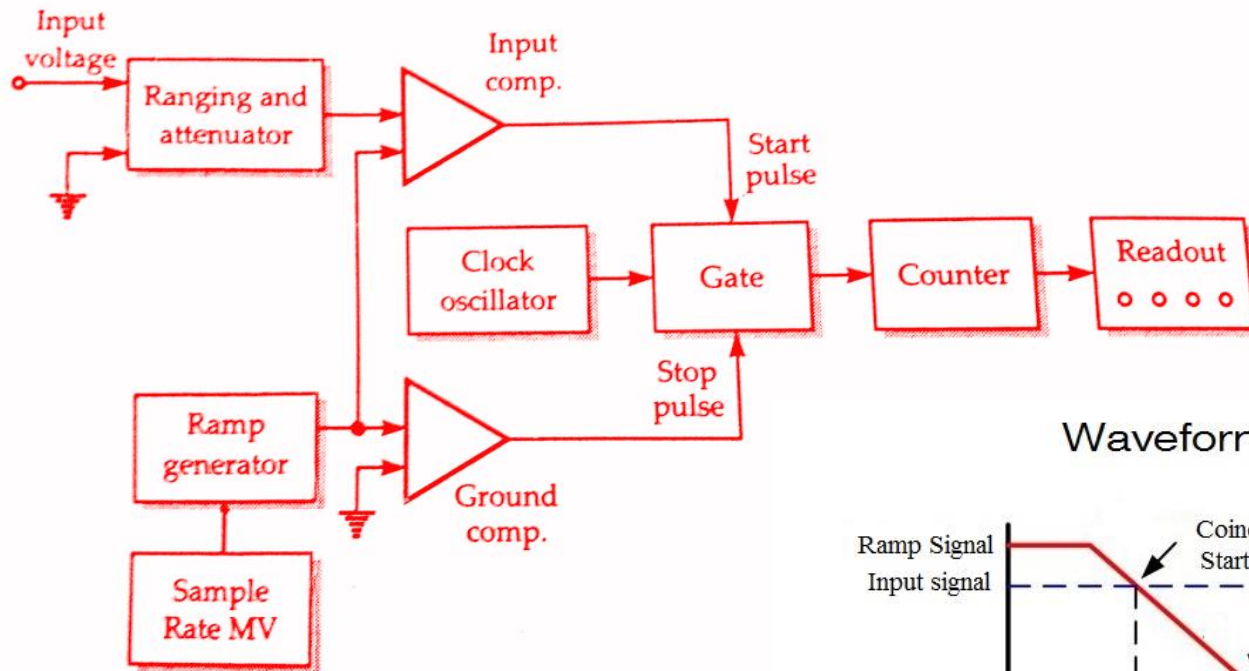


Block Diagram of a 4-bit Serial Adder with Accumulator

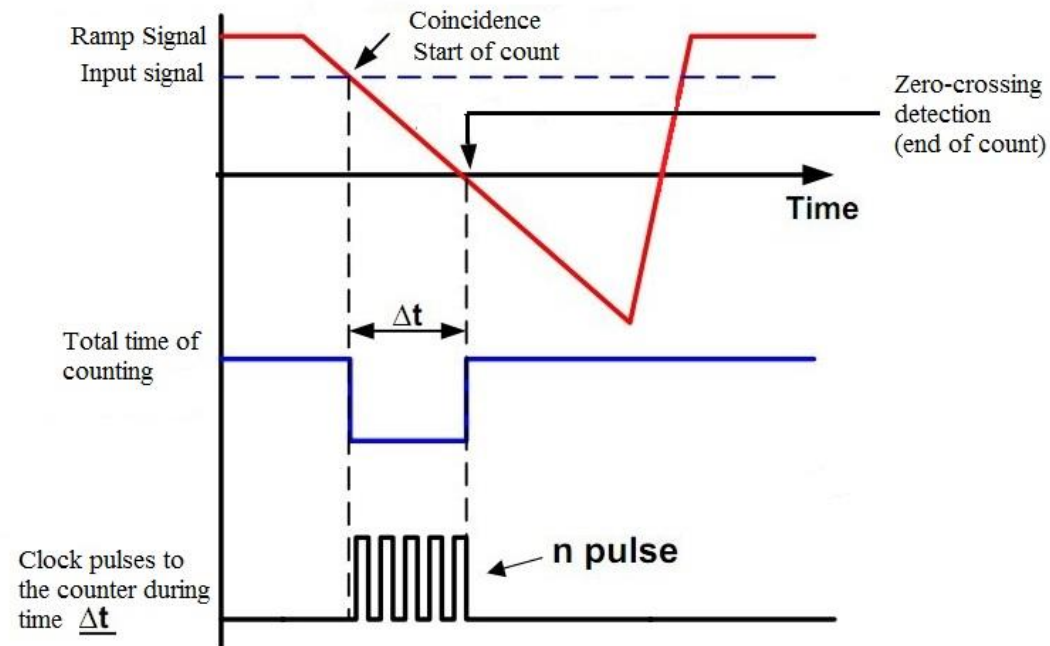
# Counter based ADC



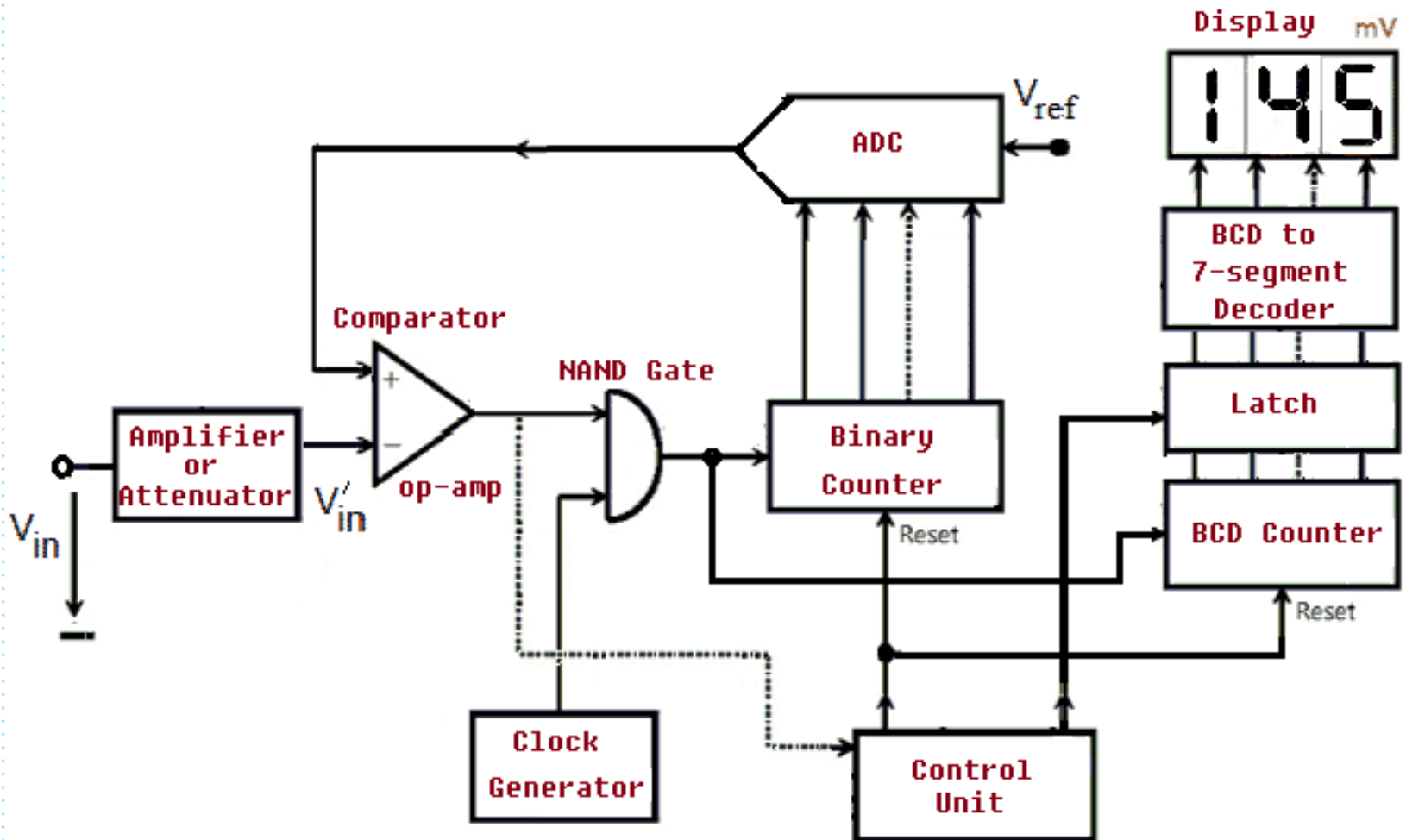
# Counter based Voltmeter



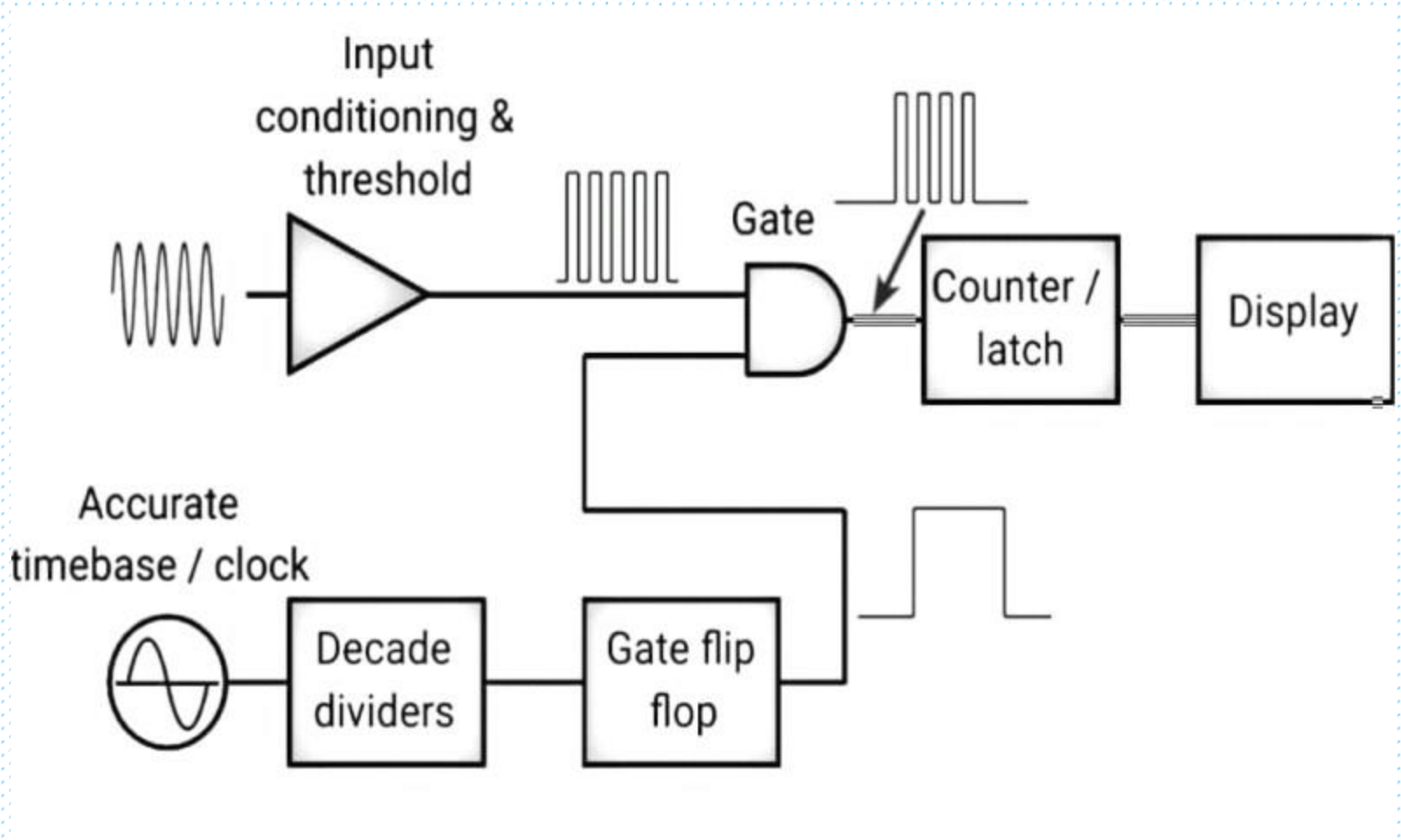
## Waveform Analysis



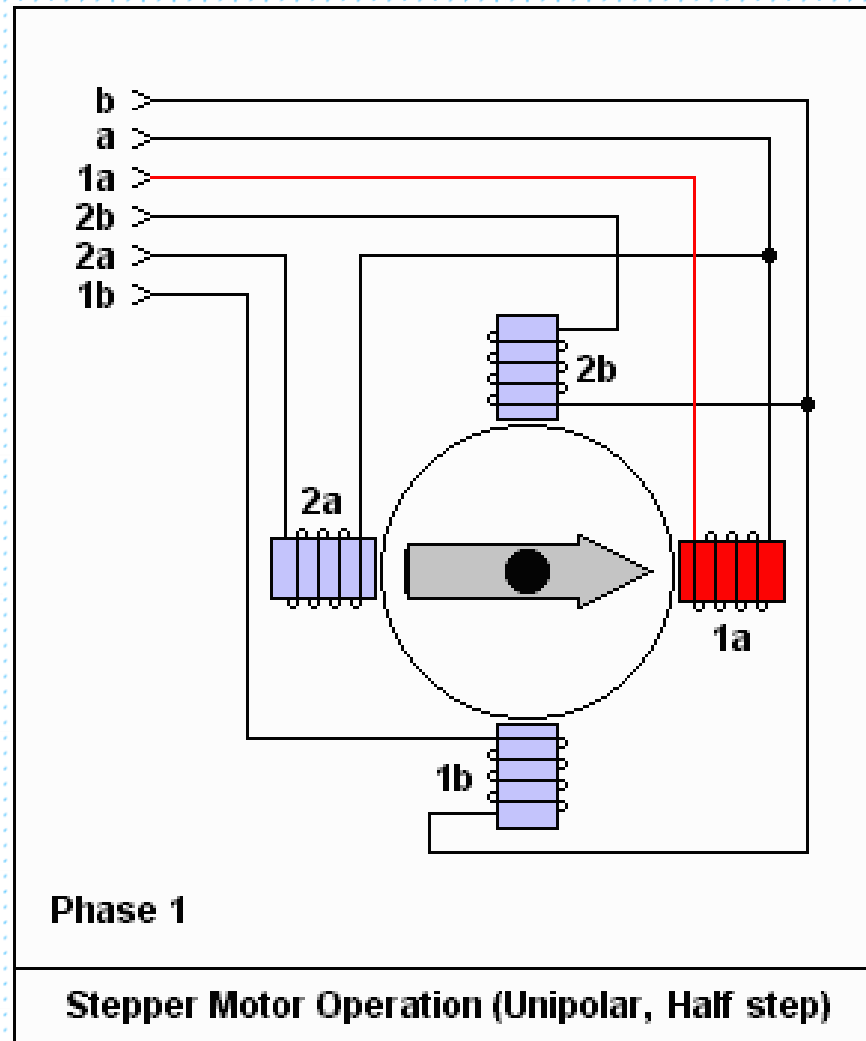
# Counter based Voltmeter



# Counter based Frequency meter



# Stepper Motor





# Stepper Motor Control

